



## Main Features:-

- ◆ Full Port Ball Valve, 3 PCS
- ◆ 1/2" to 4" PN63
- ◆ Ends: Tank bottom / Butt Weld ANSI B 16.25
- ◆ Working Temperature -25 to +180C \*
- ◆ Max. Working pressure 63 bar

\*Temperature and pressure determined by valve body, seat etc.



## Suitable Applications & Approvals:



HVAC



OIL



GAS



INDUSTRY

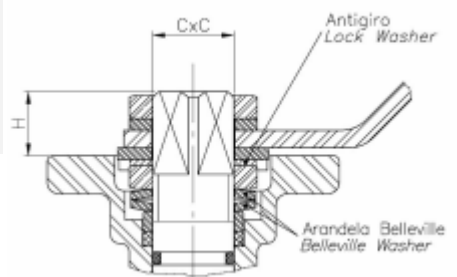
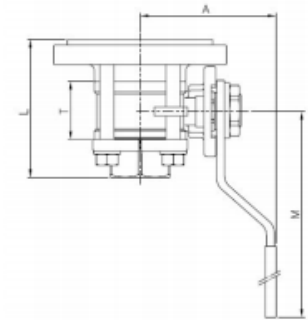
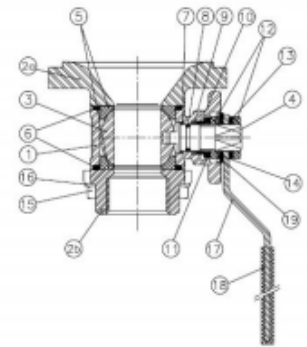
## SERIES: 80031

MANUFACTURER: **GENEBRE**

VALVE MATERIALS & DIMENSIONS

ITEM	SECTION	MATERIAL	ADDITIONAL INFO / OPTIONS
1	Body	SS 1.4408	Shot Blasting
2a	Tank Bott. Flange	SS 316 L	n/a
2b	Cap	SS 1.4408	Shot Blasting
3	Ball	SS 1.4408	Spare Part Code 2907
4	Stem	SS 316	Spare Part Code 2905
5	Ball Seat	PTFE +15% G.F.	Spare Part Code 2820
6	Gasket	PTFE + Graphite	Spare Part Code 2820
7	Trust Washer	PTFE + Graphite	Spare Part Code 2820
8	O'Ring	FKM	Spare Part Code 2820
9	Stem Packing	PTFE	Spare Part Code 2820
10	Gland	SS 304	n/a
11	Belleville Washer	SS301	n/a
12	Nut	SS 304	n/a

REF	SIZE	PN	BORE	A	L	M	T	H	CxC	ISO
80031-04	1/2"	63	15	60	65.5	112	24	11	9x9	F03/04
80031-05	3/4"	63	20	70	76.2	138	30	11	11x11	F04/05
80031-06	1"	63	25	70	83.3	138	33.5	11	11x11	F04/05
80031-07	1 1/4"	63	32	88	91.3	160	41.5	15	14x14	F05/07
80031-08	1 1/2"	63	40	94	103.3	205	51.5	15	14x14	F05/07
80031-09	2"	63	50	100	116.5	205	63	15	14x14	F05/07
80031-10	2 1/2"	63	65	150	147.3	330	83.5	19	17x17	F07/10
80031-11	3"	63	80	165	169	330	100	19	17x17	F07/10
80031-12	4"	63	100	175	198	340	118.5	19	17x17	F07/10



T +44 (0)1386 552369

W www.allvalves.co.uk

E sales@allvalves.co.uk

F +44 (0)1386 554227

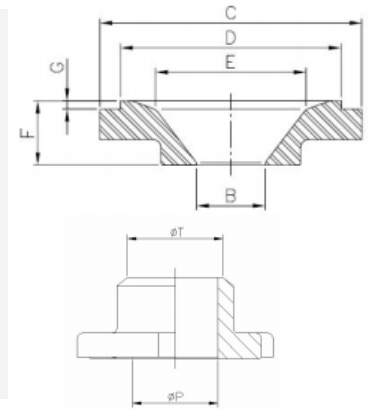


Genebre are a global brand of industrial valves with large stocks held for fast delivery on various type of valves, sizes, end connections and materials.

**SERIES: 80031**

TORQUE / Kv VALUES / PRESSURE & TEMP CHART

REF	SIZE	B/ØP	C	D	E	F	G	ØT	Kg
80031-04	1/2"	15	70	60	40	25	3	17	0.44
80031-05	3/4"	20	85	75	50	25	3	22	0.82
80031-06	1"	25	95	80	55	25	3	28	1.02
80031-07	1 1/4"	32	110	90	60	25	3	35	1.79
80031-08	1 1/2"	40	130	110	74	25	3	43	2.46
80031-09	2"	50	150	140	91	25	3	54	3.47
80031-10	2 1/2"	65	185	175	108	28	5	69	8.5
80031-11	3"	80	200	185	128	28	5	87	12.4
80031-12	4"	100	240	220	150	28	5	105	16.65



Tank Bottom Flange and Butt weld

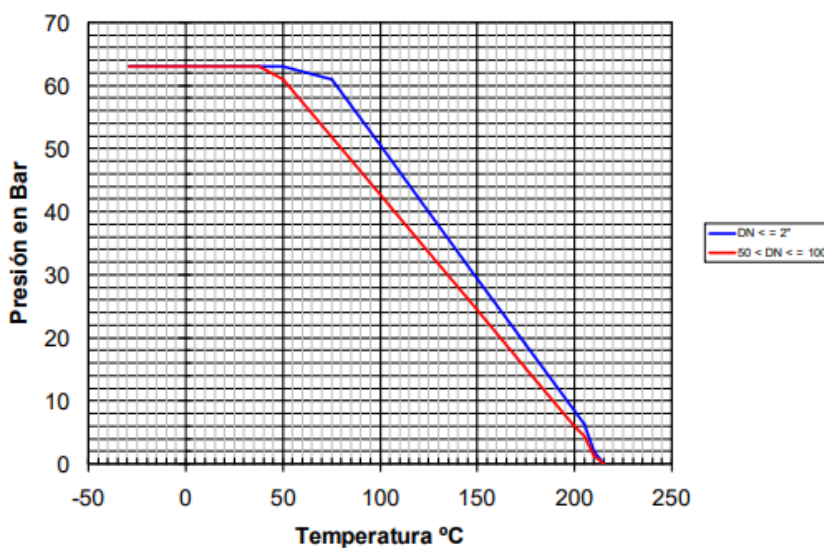
REF	SIZE	TORQUE Nm	REF	SIZE	Kv
80031-04	1/2"	4-5	80031-04	1/2"	24
80031-05	3/4"	7-8	80031-05	3/4"	43
80031-06	1"	9-10	80031-06	1"	83
80031-07	1 1/4"	12-14	80031-07	1 1/4"	130
80031-08	1 1/2"	18-20	80031-08	1 1/2"	205
80031-09	2"	28-30	80031-09	2"	340
80031-10	2 1/2"	34-36	80031-10	2 1/2"	520
80031-11	3"	58-60	80031-11	3"	1100
80031-12	4"	90-95	80031-12	4"	1820

### TORQUE :

- The liquid listed in the table are initial breakaway torques, taken with liquids and lubricant media.
- Please regard these as approximate values, as the objective value on different factors like pressure, medium, rubber

### GENEBRE

Genebre is a leading company and world reference in fluid control and high-quality taps. They control all the creation processes, responding to the specific needs of each market: from the initial concept and design of the product to the production and commercialization.



T +44 (0)1386 552369

W www.allvalves.co.uk

E sales@allvalves.co.uk

F +44 (0)1386 554227

